

imc CANSAS cable

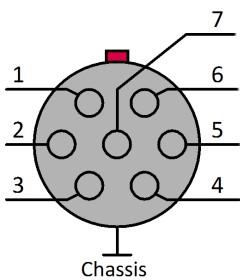
Cable and Accessories

Pre-assembled cables are available for connection to imc CANSAS*fit* and μ -CANSAS modules.

Sensor cable for imc CANSAS*fit* (CANFT/UTI-6, CANFT/ENC-6)



LEMO plug 1B, 7-pin



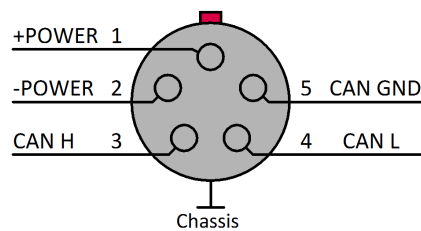
Pin	wire color	cross section	CANFT/UTI-6	CANFT/ENC-6
1	white	0.14 mm ²	+IN	+IN (x)
2	brown	0.14 mm ²	-IN	-IN (x)
3	red	0.25 mm ²	+SUPPLY	+SUPPLY
4	black	0.25 mm ²	GND	GND
5	grey	0.14 mm ²	-SUPPLY	+INDEX
6	yellow	0.14 mm ²	+I_RT D	reserved
7	green	0.14 mm ²	-I	reserved

Order code		article no.
ACC/SENSORCABLE1-1M	cable length 1 m	13500255
ACC/SENSORCABLE1-2M	cable length 2 m	13500256
ACC/SENSORCABLE1-5M	cable length 5 m	13500257
ACC/SENSORCABLE1-10M	cable length 10 m	13500320

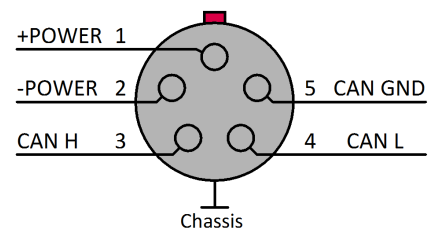
Cable for CAN and power supply for imc CANSAS*fit* modules



LEMO plug 0B, 5-pin



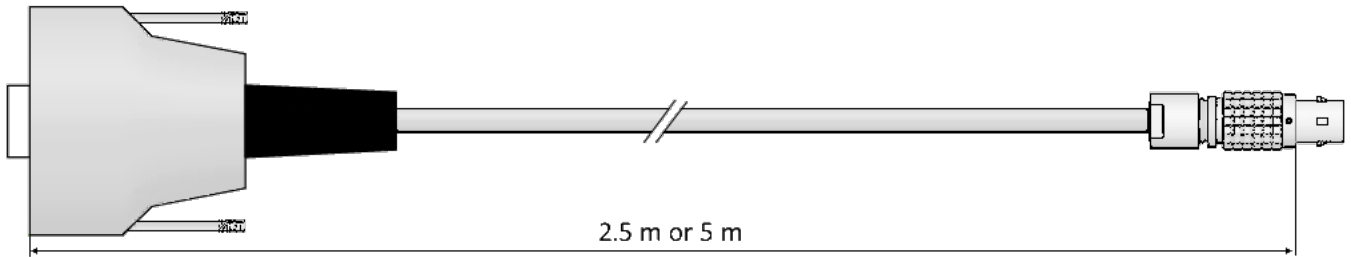
LEMO plug 0B, 5-pin



Order code	cable length	cross section	article no.
ACC/CABLE-LEMO-LEMO-1M	1 m	signal wire: 0.14 mm ²	13500228
ACC/CABLE-LEMO-LEMO-2M5	2.5 m	supply wire: 0.25 mm ²	13500229
ACC/CABLE-LEMO-LEMO-5M	5 m		13500259

Other cable lengths are also available on request.

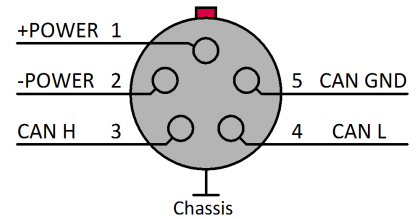
Cable for CAN and power supply for imc CANSASfit modules



DSUB-9, 9-pin

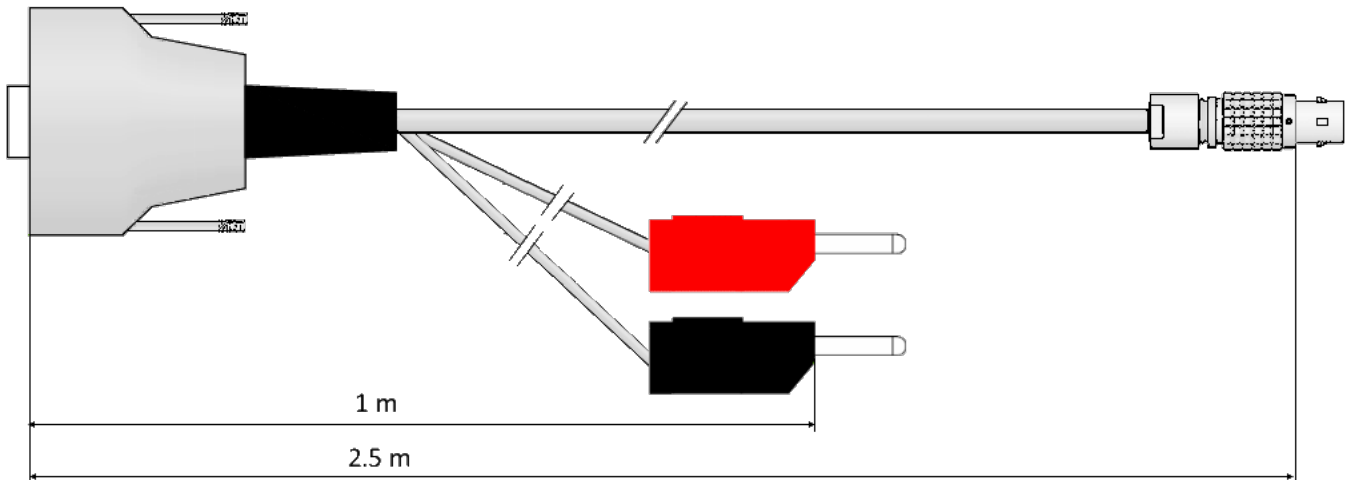
Pin	Signal
1	+POWER
2	CAN L
3	CAN GND
5	-POWER
7	CAN H

LEMO plug 0B, 5-pin



Order code	cable length	cross section	article no.
ACC/CABLE-LEMO-DSUB-2M5	2.5 m	signal wire: 0.14 mm ² supply wire: 0.25 mm ²	13500230
ACC/CABLE-LEMO-DSUB-5M	5 m		13500258

Cable for CAN and power supply for imc CANSASfit modules (Y-cable)



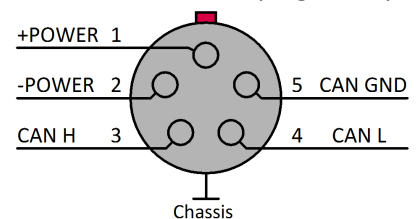
DSUB-9, 9-pin

Pin	Signal
2	CAN L
3	CAN GND
7	CAN H
Pin 1, 4, 5, 6, 8 and 9 are n.c.	

banana, 4 mm

BAN-plug	
red	+POWER
black	-POWER
minimum 0.5 mm ²	
-40°C to 125°C	

LEMO plug 0B, 5-pin

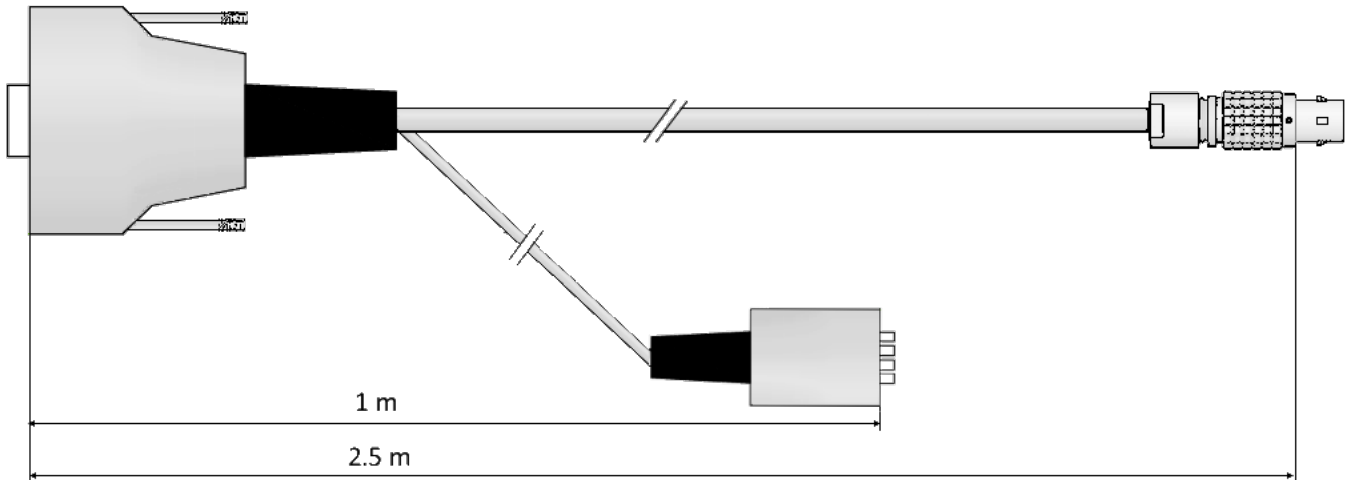


Order code	cable length	cross section	article no.
ACC/CABLE-LEMO-DSUB-BAN-2M5	2.5 m	signal wire: 0.14 mm ² supply wire: 0.25 mm ²	13500231
ACC/CABLE-LEMO-DSUB-BAN-5M	5 m		13500269

With the Y-cables +POWER, -POWER is not connected to the DSUB-9 pins (*pin 1, 5 are n.c.*).

Other cable lengths are also available on request.

Cable for CAN and power supply for imc CANSASfit modules



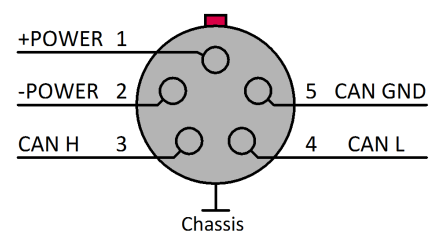
DSUB-9, 9-pin

Pin	Signal
2	CAN L
3	CAN GND
7	CAN H
Pin 1, 4, 5, 6, 8 and 9 are n.c.	

Phoenix, 4-pin

MC1.5/4-GF-3.81	
Pin	Signal
1	-POWER
2	-POWER
3	+POWER
4	+POWER

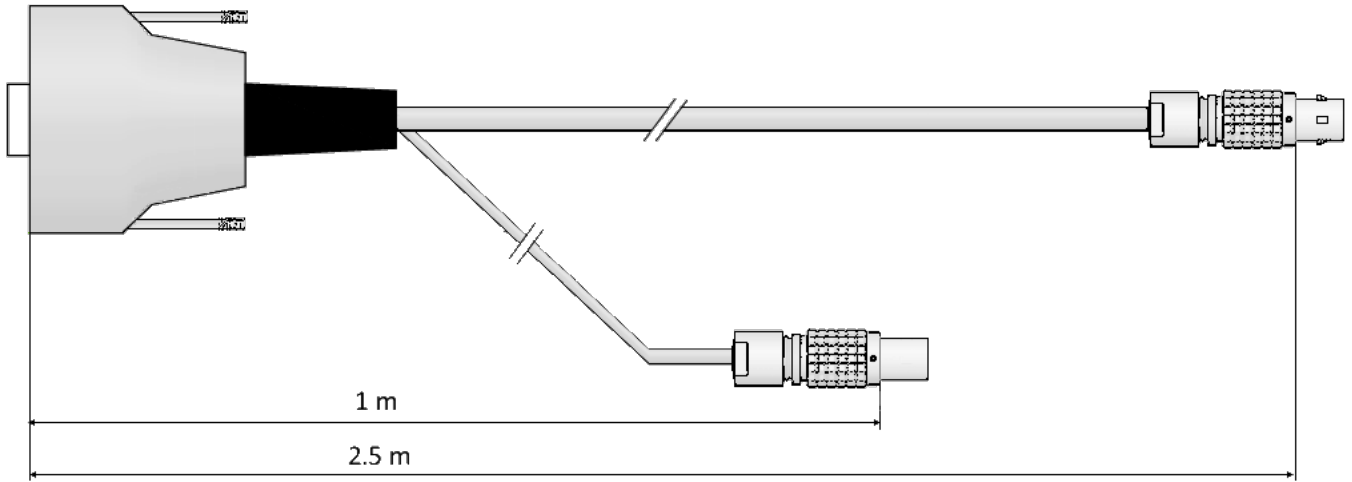
LEMO plug 0B, 5-pin



Order code	cable length	cross section	article no.
ACC/CABLE-LEMO-DSUB-PHOE-2M5	2.5 m	signal wire: 0.14 mm ² supply wire: 0.25 mm ²	13500261

Cable for CAN and power supply for imc CANSASfit modules: compatible with AC/DC power adaptor with LEMO.1B

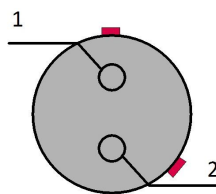
- a) Variant for 15 V / 24 V power adaptor (e.g. CRPL/AC-ADAPTER-60W-1B, article no. 13500368)
- b) Variant for 48 V power adaptor (ACC/AC-ADAP-48-150-1B, article no. 13500148)



DSUB-9, 9-pin

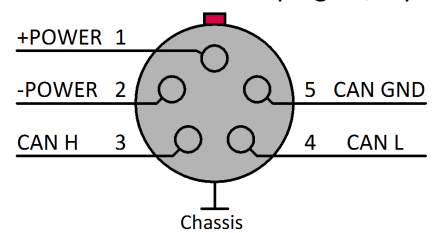
Pin	Signal
2	CAN L
3	CAN GND
7	CAN H
Pin 1, 4, 5, 6, 8 and 9 are n.c.	

LEMO connector 1B female, 2-pin



LEMO G/E-coded	
Pin	Signal
1	+POWER
2	-POWER

LEMO plug 0B, 5-pin



Order code	cable length		article no.
ACC/CABLE-LEMO-DSUB-LEMO-1B	2.5 m	for 15 V / 24 V power adaptor (e.g. CRPL/AC-ADAPTER-60W-1B): G-coded	13500368
ACC/CABLE-LEMO-DSUB-LEMO-1BE	2.5 m	only for 48 V power adaptor (ACC/AC-ADAP-48-150-1B): E-coded	13500296

cross section valid for both cables, signal: 0.14 mm² and power supply wires: 0.25 mm²

imc CANSASfit Power-Set			
Order code	cable length		article no.
CANFT/POWER-P	2.5 m	Power adaptor (AC/DC adaptor) 24 V, 60 W, cable for CAN and power, LEMO.0B to DSUB-9, power input via PHOENIX	12100023
CANFT/POWER-L24	2.5 m	Power adaptor (AC/DC adaptor) 24 V, 60 W, cable for CAN and power, LEMO.0B to DSUB-9, power input via LEMO.1B	12100044
CANFT/POWER-L48	2.5 m	Power adaptor (AC/DC adaptor) 48 V, 150 W, cable for CAN and power, LEMO.0B to DSUB-9, power input via LEMO.1B	12100045